



Sauer Compressors

for Industry

- Dependable Compressors:**
- reliable
 - low maintenance
 - sturdy





Specialist for missing pieces.

Sauer Compressors for Industry

- ▶ **INDUSTRY RELIES** on Sauer piston compressors for pressures of up to 500 bar to control process and production using high-pressure air or gas. Our starting and working air compressors have proved highly successful in a demanding market and are among the most modern and efficient in the world.

We place great importance on comprehensive and proficient customer support. We assist our customers from the initial project phase through to after-sales service with specialist consultation for the complete solution while ensuring the best possible efficiency over the entire life-cycle of the compressor.

By complementing the supply of compressors with added value accessories, engineering services and assembly, Sauer makes entire solutions possible, ranging from modules to complete turnkey plants.

Sauer – dependable solutions!





PARENTS KNOW what their children want – even without words. It's apparent from the look in their eyes.

It's the same in the world of compressors: local habits and technical demands are not unique in the world. Our sister companies, agents and dealers speak the local language and provide solutions adapted to the local needs based on high quality products produced by **J.P. Sauer & Sohn Maschinenbau GmbH** in Kiel and **Sauer Zandov A.S.** in the Czech Republic.

Sauer's own companies **Girodin-Sauer SAS** in France, **Sauer Compressors USA Inc.** in the United States, the joint venture **ELGI-Sauer Compressors Ltd.** in India provide optimum solutions when it comes to application engineering and customer service.

Our sales and service offices **Sauer Compressors UK** in the United Kingdom, **Amrit Sauer Compressori srl.** in Italy, **Sauer Compressors China** in China, **Sauer Compressors CIS** in Russia and **Sauer Compressors Singapore** provide local support and understand our customers' needs with a blink of an eye.



J.P. Sauer & Sohn Maschinenbau GmbH
Kiel, Germany
*Headquarters and Centre of Excellence
of the Sauer Group
Production, Packaging, Sales & Service*

Sauer Žandov S.A.
Zandov, Czech Republic
Production

Girodin-Sauer SAS
Paris, France
Production, Packaging, Sales & Service

Sauer Compressors USA Inc.
Stevensville, Maryland, USA
Packaging, Sales & Service

Elgi-Sauer Compressors Ltd.
Coimbatore, India
Production, Packaging, Sales & Service

Amrit-Sauer Compressori srl.
Lecco, Italy
Sales & Representative Office

Sauer Compressors UK
Colchester, United Kingdom
Sales & Representative Office

Sauer Compressors China
Shanghai, China
Sales & Representative Office

Sauer Compressors CIS
Moscow, Russia
Sales & Representative Office

Sauer Compressors Singapore
Singapore
Sales & Representative Office



You will find our **authorized distributors**
and **servicepartners** all over the world:
www.sauercompressors.com

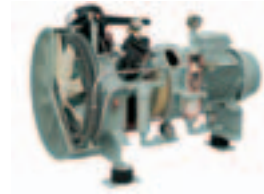


Compressor and Capacity range

Sauer Compressors for Industry

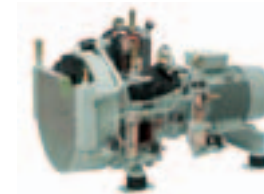
■ MISTRAL series

Pressure range: 8–40 bar (g)
Variants: *Basic*, *BasBooster^B*, *BasBooster^R*,
ComSilent, *ComDry*, *ComBooster^B*, *ComBooster^R*
Medium: Air, Nitrogen



■ PASSAT series

Pressure range: 10–80 bar (g)
Variants: *Basic*, *BasBooster^B*, *BasSeal^B*,
ComSilent, *ComDry*, *ComBooster^B*, *ComSeal^B*
Medium: Air, Nitrogen, Helium, Natural gas



■ TYPHOON series

Pressure range: 10–100 bar (g)
Variants: *Basic*, *BasBooster^B*
Medium: Air, Nitrogen



■ HURRICANE series

Pressure range: 50–400 bar (g)
Variants: *Basic*, *BasBooster^B*, *BasSeal^B*,
BasBreath, *ComSilent*, *ComDry*, *ComBooster^B*,
ComSeal^B, *ComBreath*
Medium: Air, Nitrogen, Helium, Natural gas, Bio-methane



■ TORNADO series

Pressure range: 50–400 bar (g)
Variants: *Basic*, *BasBreath*, *ComSilent*, *ComDry*,
ComBooster^B, *ComSeal^B*, *ComBreath*
Medium: Air, Nitrogen, Helium, Natural gas



■ 5000 series

Pressure range: 50–350 bar (g)
Variants: *Basic*
Medium: Air, Nitrogen

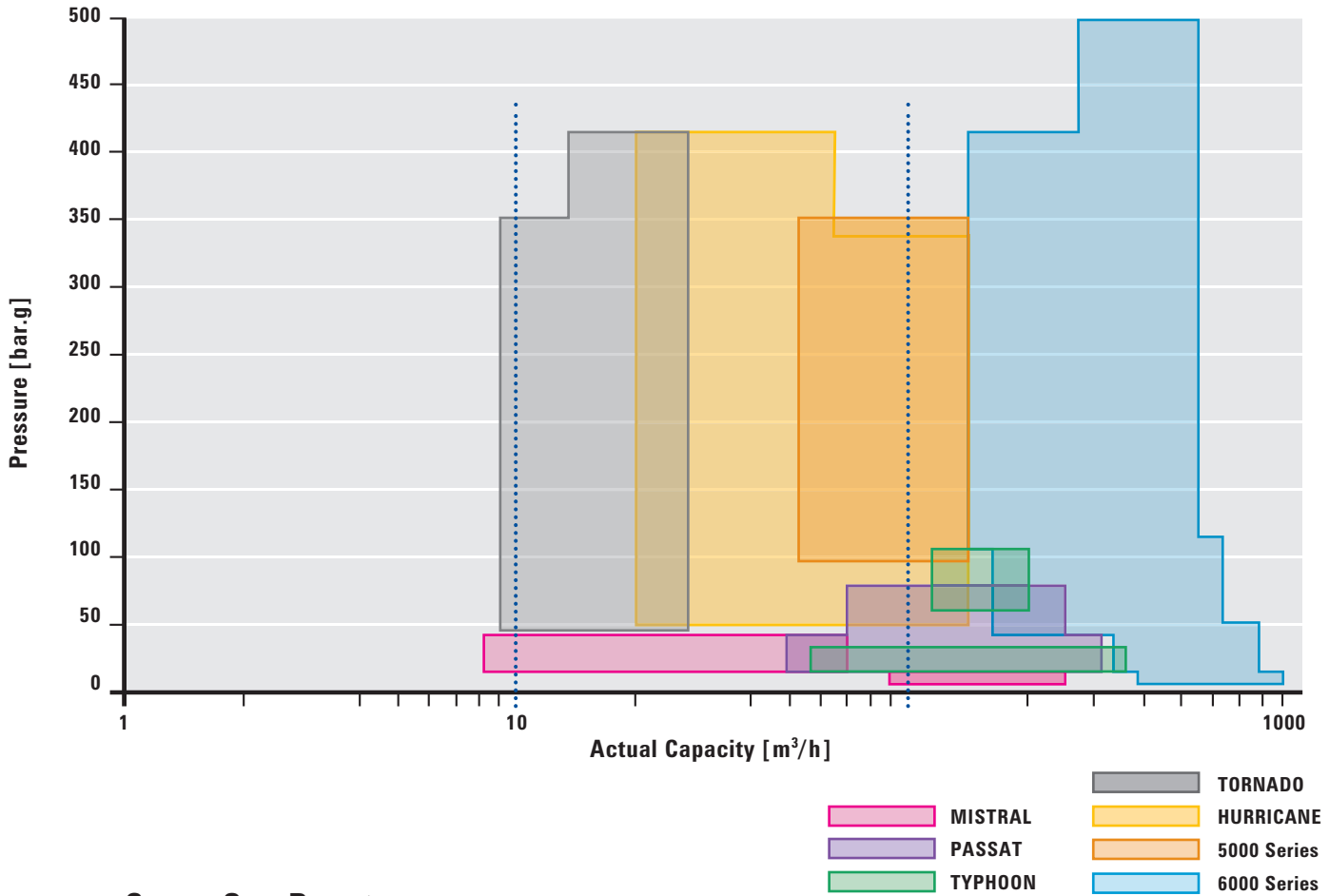


■ 6000 series

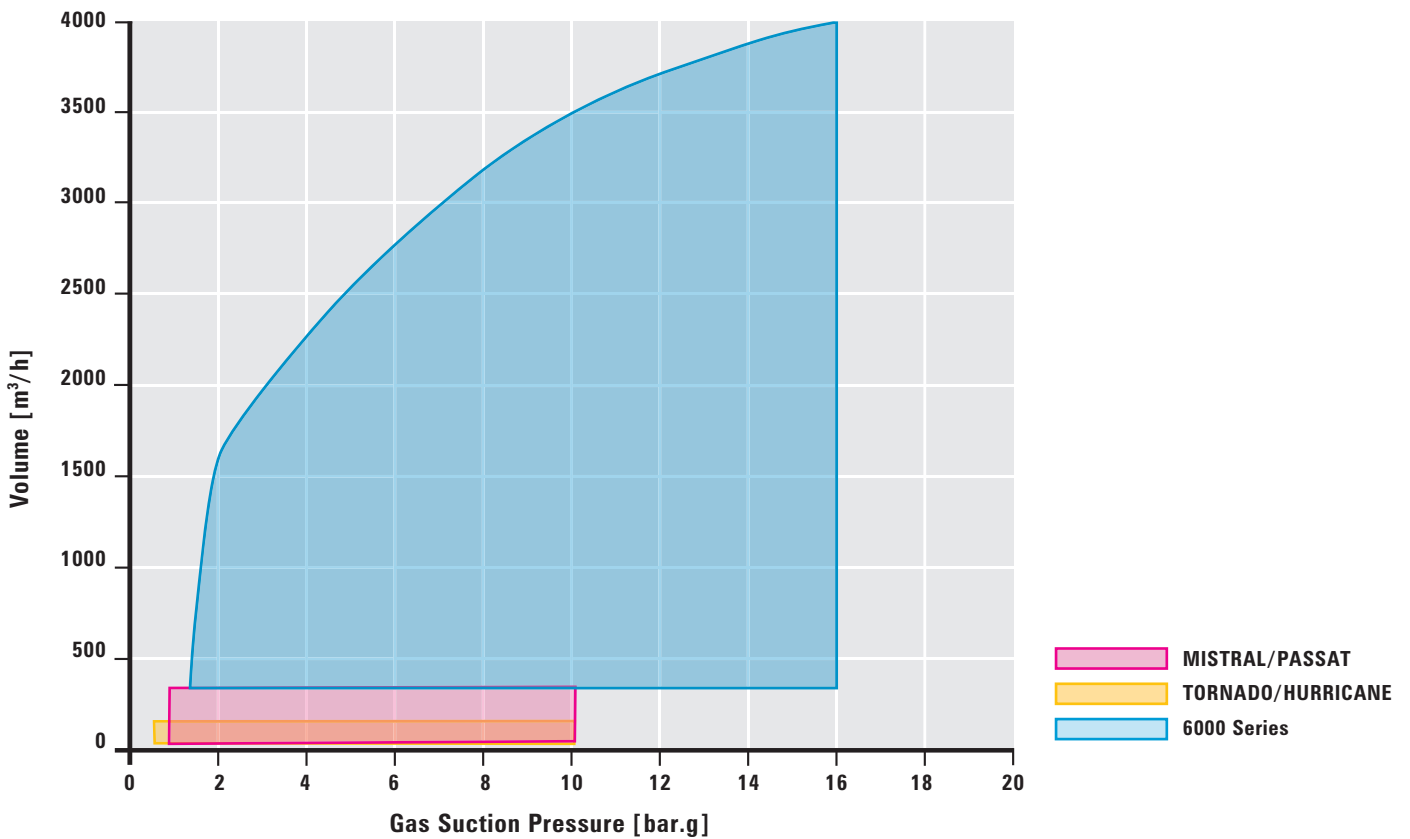
Pressure range: 16–500 bar (g)
Variants: *Basic*, *BasBooster^B*,
BasBooster^R, *BasSeal^R*
Medium: Air, Nitrogen, Helium,
Natural Gas, Bio-methane



Sauer Air Compressor range



Sauer Gas Booster range





Sauer Compressors: *Power Generation*

Sauer Compressors for Industry

- **FOR DECADES NOW**, Sauer compressors have been operating reliably in power plants of all types throughout the world – regardless of whether they operate continuously or in start/stop mode. At the same time, the volume flows and pressure ranges are tailored to the specific needs of our customers. Indeed, Sauer is always happy to take into account customers' individual requirements and is able to cater for (virtually) any request.

Our customers benefit from the following advantages:

- The very latest compressors, control systems, compressed-air treatment systems and accessories
- Optimum customer services starting with the initial enquiry and extending over the entire life of the product
- 100% compressor check at final pressure including 3.1 inspection certificate
- Long operating life with guaranteed availability of replacement parts (minimum 25 years)
- Turn-key solutions produced in accordance with customers' specifications
- Customer-specific documentation and calculations
- Trouble-free operation, even under the most extreme conditions (55°C ambient temperature)
- Individual, customer-oriented service concepts



■ Diesel-engine generators

Diesel-engine generators (also known as gen-sets) consist of a diesel engine and a generator. Given that they provide an independent means of generating electricity, they are a popular choice at production sites in remote areas or as emergency power supplies for major banks, hospitals, airports and even entire towns or cities. Indeed, a number of countries and island states produce the majority of their electricity using diesel-engine generators.

What are **Sauer Compressors** used for?

- Starting air
- DENOX treatment

Who are **Sauer Compressors'** customers?

- Power-plant operators
- Diesel-engine manufacturers
- Engineering offices
- Contractors

Which **Sauer product ranges** are used?

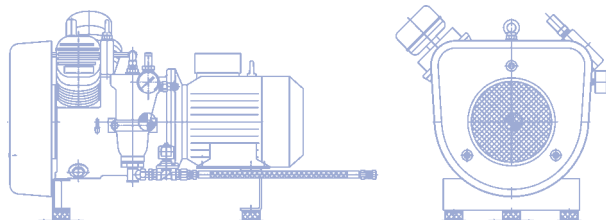
Product ranges: MISTRAL, PASSAT, 6000

Variants: *Basic*, *ComSilent*

Volumetric flow: 10–485 m³/hr

Pressure range: 15–50 bar (g)

Medium: Air





■ Gas-turbine power plants, combined heat and power plants

In gas-turbine power plants, flammable gases are used to drive turbines. These turbines are in turn connected to generators which actually produce the electricity. In gas and steam combination power plants, the heat generated by the gas turbines is also used to produce steam for the steam turbines. Small gas power plants (so-called combined heat and power plants) use an internal combustion engine instead of a turbine to drive the generator. These combined heat and power plants are frequently used in order to cover periods of peak demand within the electricity network.

What are Sauer Compressors used for?

- Starting air
- Purging air
- Sealing gas (nitrogen)
- Desulphurisation
- Feeding in gas

Which Sauer product ranges are used?

Product ranges: MISTRAL, PASSAT, TYPHOON, 6000
 Variants: *Basic, ComSilent, BasSeal, ComSeal*
 Volumetric flow: 100–1000 m³/hr
 Pressure range: 15–50 bar (g)
 Medium: Air, nitrogen

Who are Sauer Compressors' customers?

- Power-plant operators
- Turbine manufacturers
- Engineering offices
- Contractors

■ Steam power plants, coal-fired power plants, waste incineration facilities

In steam power plants, the thermal energy contained in water vapour is used to power a steam turbine which in turn drives the generator. In the process, conventional fuels such as oil, natural gas, hard coal or brown coal are used to fire the steam boiler. In coal-fired power plants, coal is the only fuel used, whereas waste incineration facilities can also use treated waste in order to generate electricity.

What are Sauer Compressors used for?

- Desulphurisation
- Removing fuel residues (soot blowing)
- DENOX treatment
- Cooling the turbines using hydrogen

Who are Sauer Compressors' customers?

- Power-plant operators
- Turbine manufacturers
- Engineering offices
- Contractors

Which Sauer product ranges are used?

Product ranges: MISTRAL, PASSAT, HURRICANE, 6000
 Variants: *Basic, ComSilent*
 Volumetric flow: 100–1000 m³/hr
 Pressure range: 15–250 bar (g)
 Medium: Air, hydrogen



MISTRAL *Basic*



MISTRAL *BasBooster*



PASSAT *Basic*



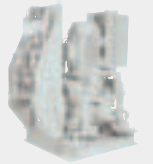
TYPHOON *Basic*



TORNADO *Basic*



HURRICANE *ComDry*



5000 *BasDry*



6000 *Basic*



6000 *BasBooster*





Sauer Compressors: *Power Generation*

Sauer Compressors for Industry

■ Hydroelectric power plants and other hydroelectric facilities

In hydroelectric power plants, the mechanical energy of the water is converted into electrical current using turbines and generators connected to them. Given that the effective head varies, a distinction is made between low, medium and high-pressure power plants. Similarly, there are run-of-river plants as well as storage plants (including pumped-storage plants) depending on the way in which the available water is used.

What are Sauer Compressors used for?

- Braking air for pneumatic brakes
- Adjusting turbine blades and large valves (e. g. governor)
- Blowing air (blowing out the water to eliminate the load during starting)
- Preventing pulsation and cavitation

Who are Sauer Compressors' customers?

- Power-plant operators
- Turbine manufacturers
- Engineering offices
- Contractors

Which Sauer product ranges are used?

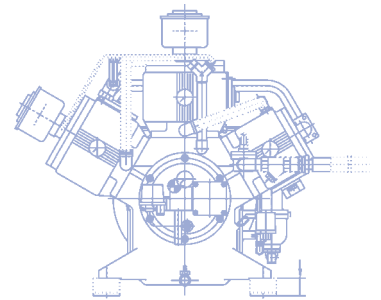
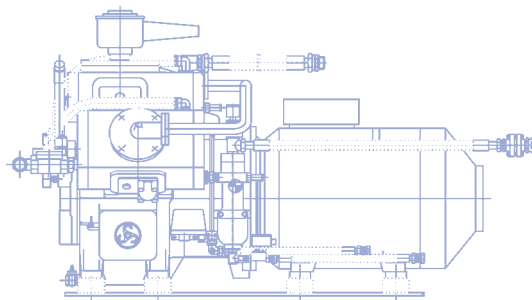
Product ranges: MISTRAL, PASSAT, TYPHOON, 6000

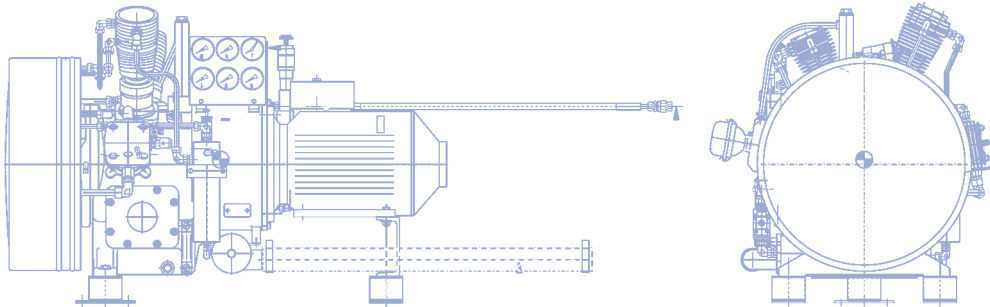
Variants: *Basic, ComSilent*

Volumetric flow: 50 – 500 m³/hr

Pressure range: 30–100 bar (g)

Medium: Air, nitrogen





■ Nuclear power plants, atomic power plants

Although they belong to the group of steam power plants, nuclear power plants are mentioned here separately as they obtain the energy they need to heat steam through splitting atoms rather than through burning fossil fuels.

What are Sauer Compressors used for?

- Starting air for emergency power for the diesel engines
- Cooling the turbines using hydrogen
- Cooling the reactor core using hydrogen

Who are Sauer Compressors' customers?

- Power-plant operators
- Diesel-engine manufacturers
- Engineering offices
- Contractors

Which Sauer product ranges are used?

Product ranges: MISTRAL, PASSAT, HURRICANE, TORNADO

Variants: *Basic*, *ComDry*, *BasSeal*, *ComSeal*

Volumetric flow: 10 – 265 m³/hr

Pressure range: 30 – 250 bar (g)

Medium: Air, hydrogen



MISTRAL *Basic*



MISTRAL *BasBooster*



PASSAT *Basic*



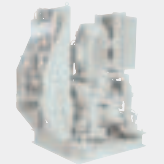
TYPHOON *Basic*



TORNADO *Basic*



HURRICANE *ComDry*



5000 *BasDry*



6000 *Basic*



6000 *BasBooster*



Sauer Compressors: *Power Distribution*

Sauer Compressors for Industry

- ▶ **ONE OF THE FIRST SAUER** industrial compressors was used to extinguish electrical arcs in electrical substations. Since this sale back in 1956, we have made constant efforts not only to expand and develop our expertise but also to invest it in the compressors themselves. As a result, Sauer is now one of the best-known suppliers for electrical substations – an application requiring safe and reliable operation given the extreme conditions encountered. Sauer offers reliable solutions for renewable energies too, for example the distribution of bio-methane in order to generate electricity. With its gas-tight compressors built to individual customer specifications, Sauer is one of the forerunners within this sector. Indeed, Sauer is always happy to take into account customers' individual requirements and is able to cater for (virtually) any request.

Our customers benefit from the following advantages:

- The very latest compressors, control systems, compressed-air treatment systems and accessories
- Optimum customer services starting with the initial enquiry and extending over the entire life of the product
- 100% compressor check at final pressure including 3.1 inspection certificate
- Long operating life with guaranteed availability of replacement parts (minimum 25 years)
- Turn-key solutions produced in accordance with customers' specifications
- Customer-specific documentation and calculations
- Great reliability, even during intermittent operation
- Individual, customer-oriented service concepts



■ Electrical substations

Part of a country's electricity supply network, electrical substations are operated by energy supply companies and are used to change the voltage levels. The optimum voltage is selected according to the level of power which is to be transmitted and the distances over which the electricity must travel. Electrical substations are in use within national and regional transmission networks (usually in the form of open-air facilities) as well as district and local distribution networks (usually in the form of indoor facilities). Transformer stations are the final link in the chain which provides the lower voltage required by consumers.

What are **Sauer Compressors** used for?

- Extinguishing electrical arcs
- Actuating open power switches

Who are **Sauer Compressors'** customers?

- Energy-supply companies
- Major industrial companies which have their own electrical substations
- Local operators of electrical substations
- Engineering offices

Which **Sauer product ranges** are used?

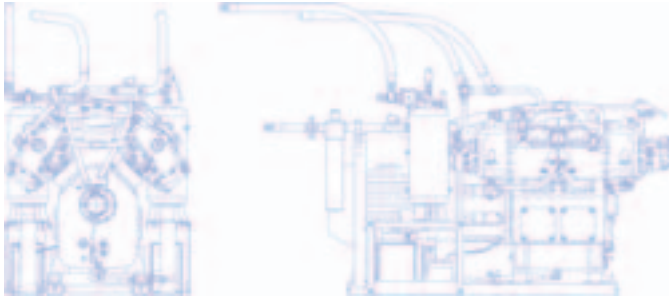
Product ranges: MISTRAL, PASSAT, HURRICANE, TORNADO

Variants: *Basic*, *ComSilent*

Volumetric flow: 10 – 300 m³/hr

Pressure range: 30 – 100 bar (g)

Medium: Air



■ Air and gas distribution

What would an infrastructure be without systems to distribute the energy sources available? Sauer Compressors deals not only with local compressed-air networks and natural-gas networks but also with renewable energies. With its expertise and understanding of its customers' requirements, Sauer is able to provide the optimum solution to a particular problem. Customer-specific solutions with gastight compressors, turn-key systems and container stations are therefore part of the typical range of products which the company offers.

What are Sauer Compressors used for?

- Starting air
- Desulphurisation
- Feeding biomethane into the national and international network
- Recovering gas lost as a result of leakage
- Feeding natural gas and air into the relevant networks

Who are Sauer Compressors' customers?

- Energy-supply companies
- Gas-station manufacturers
- Gas-treatment companies
- Engineering offices

Which Sauer product ranges are used?

Product ranges: PASSAT, HURRICANE, 6000

Variants: *Basic*, *BasSeal*, *ComSeal*

Volumetric flow: 50 – 2000 m³/h

Pressure range: 16 – 350 bar (g)

Medium: Air, bio-methane, natural gas



MISTRAL *Basic*



MISTRAL *BasBooster*



PASSAT *Basic*



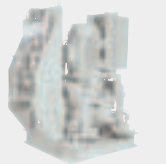
TYPHOON *Basic*



TORNADO *Basic*



HURRICANE *ComDry*



5000 *BasDry*



6000 *Basic*



6000 *BasBooster*



Sauer Compressors: *Processing Industry*

Sauer Compressors for Industry

- **ONE OF THE MOST EXTENSIVE** and at the same time varied areas of use for Sauer compressors is the processing industry. With the help of Sauer's medium and high-pressure compressors, materials and other substances can be converted, shaped, blended, cast or pressed. With its reliable, economical compressors as well as its knowledge and understanding of the overall processes involved, Sauer is the ideal partner when it comes to finding solutions for individual applications.



Our customers benefit from the following advantages:

- The very latest compressors, control systems, compressed-air treatment systems and accessories
- Optimum customer services starting with the initial enquiry and extending over the entire life of the product
- 100% compressor check at final pressure including 3.1 inspection certificate
- Long operating life with guaranteed availability of replacement parts (minimum 25 years)
- Compressors designed for permanent operation (S1 – 24/7)
- Minimal downtimes ensuring high product availability
- MTBF ↑, MTBO ↑, MTTR ↓
- Optimum service concepts



■ Metal treatment

The fact that modern manufacturing procedures speed up processes and are therefore more efficient and less expensive, means that they offer an important competitive advantage. In the field of metal treatment, it is Sauer compressors which allow you to benefit from this advantage. Working together with our customers, we develop innovative, integrated system solutions, i.e. systems which allow you not only to supply a process with gases but also to remove them again and store them for use in the next step. Users also benefit from the particularly low leakage rates of our gas compressors and from our turn-key installations, some of which have a flexible design.

What are Sauer Compressors used for?

- Hardening materials

Who are Sauer Compressors' customers?

- Automotive suppliers
- Aviation suppliers
- Manufacturers of hardening furnaces
- Autoclave manufacturers

Which Sauer product ranges are used?

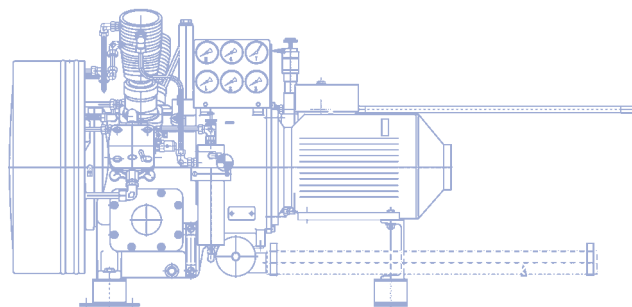
Product ranges: PASSAT, HURRICANE

Variants: *BasSeal*, *ComSeal*

Volumetric flow: 50 – 200 m³/h

Pressure range: 20 – 40 bar (g)

Medium: Air, nitrogen, helium





■ Checking and testing

All products which are to be used under a certain pressure must undergo initial testing at a pressure which is many times greater than that required. If necessary, their gastightness must also be checked when using highly volatile gases. Although water was previously used to carry out pressure checks, an improved procedure involving air, nitrogen or helium is now used instead.

During leakage checks, Sauer compressors help to recycle the gas which escapes, e. g. helium, and then return it to the process. The advantages are plain to see. Individual process steps, for example cleaning and drying during water checks, are shortened or can be dispensed with entirely. In addition, the loss of expensive gases can be avoided.

What are Sauer Compressors used for?

- Checking brakes and other components under pressure
- Checking airbags and other components under pressure
- Checking injection systems under pressure
- Checking the gastightness of components using helium
- Checking valves and other fittings under pressure
- Checking containers under pressure
- Checking of coolant containers and heat exchangers

Who are Sauer Compressors' customers?

- Automotive manufacturers
- Automotive suppliers
- Manufacturers of valves and other fittings
- Manufacturers of pressurised containers

■ Plastic forming

In the complex field of plastic forming, more and more customers are relying on Sauer compressors given their reliability and the uncomplicated, rapid service offered by the company. In this sector, it is particularly important to have a continuous supply of compressed air available in order to avoid production downtime. For mass production (where many of our customers operate), failure to produce the required number of units can ultimately decide whether or not a company can continue to exist. With its 24/7 design, the Sauer compressor is able to operate even in the most difficult environmental conditions and is therefore the ideal compressor to meet the requirements of customers in this particular sector.



Which Sauer product ranges are used?

Product ranges: PASSAT, HURRICANE, 6000

Variants: *BasBooster*, *ComBooster*,
BasSeal, *ComSeal*

Volumetric flow: 50 – 2000 m³/hr

Pressure range: 20 – 420 bar (g)

Medium: Air, nitrogen, helium

What are Sauer Compressors used for?

- Internal gas-pressure procedures
- Isostatic forming
- Manufacturing PET bottles/PET canisters

Who are Sauer Compressors' customers?

- Manufacturers of mobile telephones
- Automotive suppliers
- Manufacturers of housings for electronic goods
- Manufacturers of plastic bottles for drinks, oils, shampoos etc.
- Manufacturers of internal gas-pressure systems

Which Sauer product ranges are used?

Product ranges: PASSAT, HURRICANE,
TORNADO, 6000

Variants: *Basic*, *BasBooster*,
ComSilent, *ComBooster*

Volumetric flow: 10 – 600 m³/hr

Pressure range: 40 – 350 bar (g)

Medium: Air, nitrogen



MISTRAL *Basic*



MISTRAL *BasBooster*



PASSAT *Basic*



TYPHOON *Basic*



TORNADO *Basic*



HURRICANE *ComDry*



5000 *BasDry*



6000 *Basic*



6000 *BasBooster*



Sauer Compressors: *Processing Industry*

Sauer Compressors for Industry

■ Laser metal cutting

The cutting of metals with the help of a laser has replaced traditional mechanical methods and offers clear advantages. For example, the processes involved are shortened and the cut surfaces are not contaminated by the material of the cutting dies. However, the laser environment must be free from ambient air if an optimum cut is to be achieved. To ensure that this is the case, nitrogen is used. This nitrogen is preferably produced on site using the pressure swing adsorption (PSA) process or membranes. This helps to ensure that companies are not reliant on gas suppliers. After the PSA process has been carried out, Sauer compressors are used to boost the nitrogen to a pressure of 40 or 300 bar.

The higher pressure of 300 bar offers particular advantages as it enables large amounts of gas which are normally sufficient for a number of days to be stored quickly. Not only do users benefit from greater operational reliability, they do not need to operate their high-pressure compressor for such long periods and can therefore take advantage of the times where cheaper energy tariffs apply. In addition, a great deal less extra equipment is required upstream when a pressure of 300 bar is used.



What are Sauer Compressors used for?

- Creating an inert atmosphere surrounding the laser

Who are Sauer Compressors' customers?

- Metal treatment companies
- Manufacturers of machine tools for laser cutting
- Manufacturers of nitrogen generators/nitrogen membranes

Which Sauer product ranges are used?

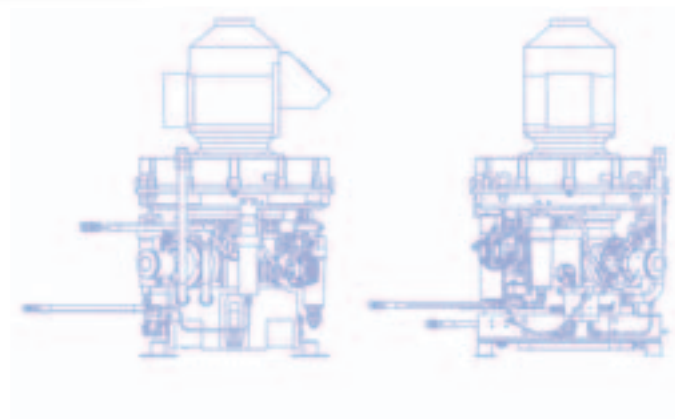
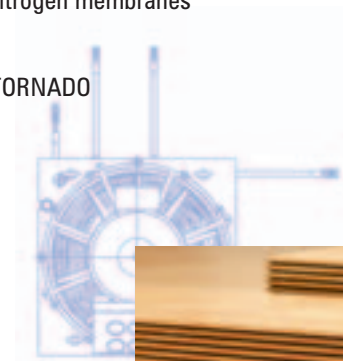
Product ranges: MISTRAL, HURRICANE, TORNADO

Variants: *BasBooster*, *ComBooster*

Volumetric flow: 10 – 100 m³/hr

Pressure range: 20 – 300 bar (g)

Medium: Nitrogen



■ Nitrogen – Generation and storage

Nitrogen plays an essential role in many other applications as well. Sauer compressors are a popular choice when it comes to storing large amounts of the gas so that it is available quickly and in sufficient quantities when carrying out the desired processes. There is a good reason for this. Each Sauer gas compressor is engineered to offer the high level of flexibility required to satisfy an extremely wide range of requirements such as different suction pressures, final pressures or gas quality.

As a result, they are frequently used in a variety of medium and high-pressure applications.



What are Sauer Compressors used for?

- Creating an inert atmosphere
- Transporting media
- Inflating aircraft tyres
- Filling fire-extinguishing systems

Who are Sauer Compressors' customers?

- Chemical or gas manufacturers
- Tyre manufacturers
- Manufacturers of fire-extinguishing systems
- Manufacturers of nitrogen generators/membranes
- Service companies to the aircraft industry

Which Sauer product ranges are used?

Product ranges: PASSAT, HURRICANE, TORNADO, 6000

Variants: *BasBooster*, *ComBooster*

Volumetric flow: 10 – 2000 m³/hr

Pressure range: 20 – 400 bar (g)

Medium: Nitrogen

■ Manufacturing composite materials

The manufacture of composite materials is also part of the processing industry. In both the wooden materials and plastics industry, different materials are pressed together under the influence of pressure and heat in order to produce materials with special characteristic properties. In the field of plastics, so-called autoclaves (special pressurised containers which can be sealed so as to be gastight) are used. Sauer compressors offer an efficient way of ensuring that the necessary pressure is available for these processes.

What are Sauer Compressors used for?

- Filling and generating pressure for autoclaves
- Raising pressure for wood presses

Who are Sauer Compressors' customers?

- Producers of wood-fibre composite materials
- Producers of plastic composite systems
- Manufacturers of autoclaves

Which Sauer product ranges are used?

Product ranges: PASSAT, HURRICANE, 6000

Variants: *Basic*, *ComSilent*

Volumetric flow: 200 – 600 m³/hr

Pressure range: 40 – 150 bar (g)

Medium: Air



MISTRAL *Basic*



MISTRAL *BasBooster*



PASSAT *Basic*



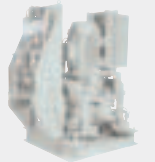
TYPHOON *Basic*



TORNADO *Basic*



HURRICANE *ComDry*



5000 *BasDry*



6000 *Basic*



6000 *BasBooster*



Sauer Compressors: *Research and Development*

Sauer Compressors for Industry

► **MANY FIRMS AND INSTITUTIONS** use Sauer compressors in a variety of areas when carrying out research and development. Regardless of whether sensitive gases are in use, modern materials are being tested or complex processes play an important role, Sauer compressors are a sound choice for any application, operating without problems for many decades. Customers value our understanding of industrial applications and our ability to come up with exactly the right type of compressor to suit their requirements. For example, the majority of universities rely on Sauer compressors when it comes to helium recovery.

Our customers benefit from the following advantages:

- The very latest compressors, control systems, compressed-air treatment systems and accessories
- Optimum customer services starting with the initial enquiry and extending over the entire life of the product
- 100% compressor check at final pressure including 3.1 inspection certificate
- Long operating life with guaranteed availability of replacement parts (minimum 25 years)
- Turn-key solutions produced in accordance with customers' specifications
- Great reliability, even during intermittent operation
- Optimum customer and compressor care concepts



■ Engine development

Many customers are familiar with Sauer compressors through their role in shipping, e. g. the starting of diesel engines. However, many people do not realise that Sauer compressors also play an important role in testing these engines and developing new ones. They are therefore widely used on engine test beds. What is more, Sauer compressors can play a role in the development of gas engines such as natural-gas engines too.



What are **Sauer Compressors** used for?

- Starting air
- Natural-gas storage

Who are **Sauer Compressors'** customers?

- Automotive manufacturers
- Engine manufacturers
- Universities

Which **Sauer product ranges** are used?

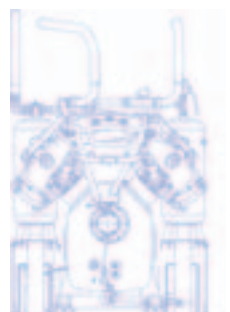
Product ranges: MISTRAL, PASSAT, HURRICANE

Variants: *Basic, BasSeal, ComSilent, ComSeal*

Volumetric flow: 50 – 2000 m³/hr

Pressure range: 30 – 350 bar (g)

Medium: Air, natural gas





■ Research institutions and universities

The fact that universities as well as state and private research institutions carry out extremely demanding work means that they rely on top-quality components in order to achieve highly accurate results. Downtime and extended experimental periods reduce competitiveness and waste funds which have been allocated for research purposes. In the field of helium recovery and liquefaction, Sauer compressors can optimise the process – with a maximum leakage rate of just 0.1 mbar x l/s. Their economical design comes into its own in ultrasound tests in wind tunnels or vehicle crash tests – two applications which require high volumes in an extremely short period. Sauer compressors save time and reduce costs, making it possible to carry out more tests at shorter intervals.



What are Sauer Compressors used for?

- Metrology
- Ultrasound wind tunnels
- Nano-coatings
- Helium recovery
- Crash tests as part of vehicle development

Who are Sauer Compressors' customers?

- Universities
- Research centres
- Metrological institutions
- Automotive research institutions

Which Sauer product ranges are used?

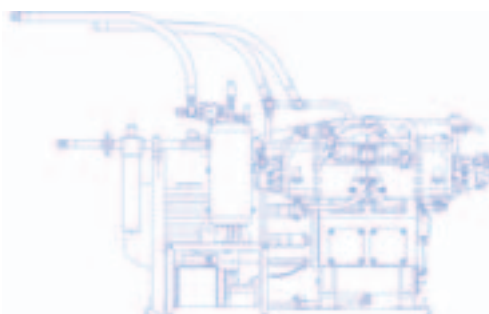
Product ranges: PASSAT, HURRICANE, TORNADO, 6000

Variants: *Basic, BasSeal, ComSilent, ComSeal*

Volumetric flow: 50 – 2000 m³/hr

Pressure range: 20 – 420 bar (g)

Medium: Air, helium



MISTRAL *Basic*



MISTRAL *BasBooster*



PASSAT *Basic*



TYPHOON *Basic*



TORNADO *Basic*



HURRICANE *ComDry*



5000 *BasDry*



6000 *Basic*



6000 *BasBooster*



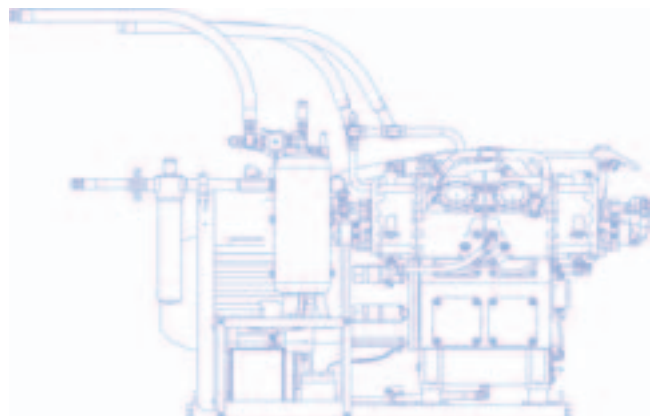
Sauer Compressors: *Oil and Gas*

Sauer Compressors for Industry

- ▶ **WHETHER ONSHORE OR OFFSHORE** – Sauer compressors are used in a variety of applications within the oil and gas sector. Designed for 24/7 operation, their robust construction allows them to be used (virtually) anywhere and under extremely difficult environmental conditions, for example, when exposed to saltwater, heat or cold. Sauer compressors easily satisfy the criteria of nearly all classification societies such as ABS, DNV and GL, whilst complying with a range of other certification systems too. In addition to our standard solutions, we also provide complex solutions which are designed to meet our customers' specifications. These include mobile, container-type units, gastight or explosion-proof designs, units featuring diesel or gas engines and even combinations of all of these. Sauer compressors always do their job reliably – regardless of whether they are in use on a floating platform in the Gulf of Mexico, in the engine room of a ship off the coast of Vietnam or on a heavy goods vehicle in Siberia.

Our customers benefit from the following advantages:

- The very latest compressors, control systems, compressed-air treatment systems and accessories
- Optimum customer services starting with the initial enquiry and extending over the entire life of the product
- 100% compressor check at final pressure including 3.1 inspection certificate
- Long operating life with guaranteed availability of replacement parts (minimum 25 years)
- Turn-key solutions produced in accordance with customers' specifications
- Compressors designed for permanent operation (S1 – 24/7)
- Classification and certification in accordance with ATEX, ABS, GL, DNV etc. possible
- Maximum +/- 22.5° heeling and longitudinal tilting for mobile concepts





■ Offshore – Seismic Applications

Industrial oil and gas consumption is growing throughout the world. This means that new technologies and deposits must constantly be found if this increased demand is to be met. The fact that Sauer compressors are very much at home on ships in general makes them ideal for use onboard exploration vessels which use air guns to survey the seabed around the world with a view to finding and exploiting new deposits. As the only supplier which is able to provide not only the compressors for the air guns but also the compressors for starting diesel engines, Sauer Compressors can offer its customers complete solutions!

Sauer compressors are equally at home on oil platforms too. Our compressors meet the strict requirements imposed within this particular branch of industry. They are used in order to compensate for the natural movement of the sea and thus help to ensure that drilling and production can continue even when the sea is rough. Naturally, we are on hand to assist you even after your compressors have been delivered. Whether they travel by helicopter or by ship, Sauer's service personnel will always get to you somehow.

What are Sauer Compressors used for?

- Air guns/surveying the seabed
- Motion compensating on board floating crude-oil platforms

Who are Sauer Compressors' customers?

- Marine research institutions
- Exploration firms
- Platform equipment suppliers

Which Sauer product ranges are used?

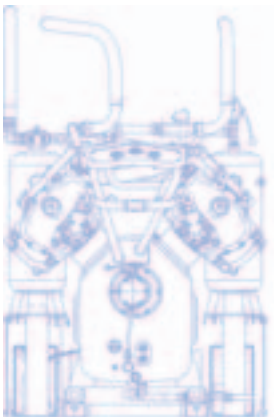
Product ranges: HURRICANE, 5000, 6000

Variants: *Basic, BasBooster, ComSilent, ComBooster*

Volumetric flow: 30 – 750 m³/hr

Pressure range: 100 – 400 bar (g)

Medium: Air, nitrogen



MISTRAL *Basic*



MISTRAL *BasBooster*



PASSAT *Basic*



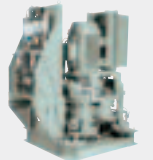
TYPHOON *Basic*



TORNADO *Basic*



HURRICANE *ComDry*



5000 *BasDry*



6000 *Basic*



6000 *BasBooster*



Sauer Compressors: *Oil and Gas*

Sauer Compressors for Industry



■ Nitrogen – Generation and storage

Regardless of whether they are located in the desert of Saudi Arabia or in the cold of Siberia, oil fields are usually found in remote areas which lack direct access to the necessary infrastructure. In these harsh environments, Sauer compressors prove their worth on a daily basis – for example when using nitrogen to maintain the discharge pressure of a well or to protect components against other media. Sauer compressors are at home wherever they happen to be needed – for medium and high-pressure applications up to 400 bar, for continuous use and even for short-notice start/stop operation.

What are Sauer Compressors used for?

- Creating an inert atmosphere
- Drilling deep wells
- Drilling systems
- Revitalization of Oil wells

Who are Sauer Compressors' customers?

- Petrochemical industry
- Oil-field suppliers
- Manufacturers of nitrogen generators/nitrogen membranes

Which Sauer product ranges are used?

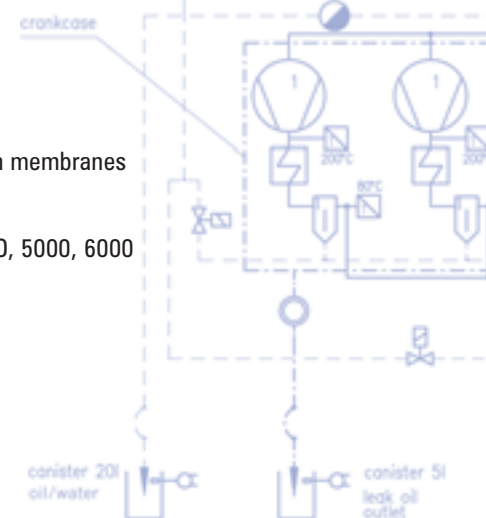
Product ranges: PASSAT, HURRICANE, TORNADO, 5000, 6000

Variants: *BasBooster*, *ComBooster*

Volumetric flow: 10–2000 m³/hr

Pressure range: 20–400 bar (g)

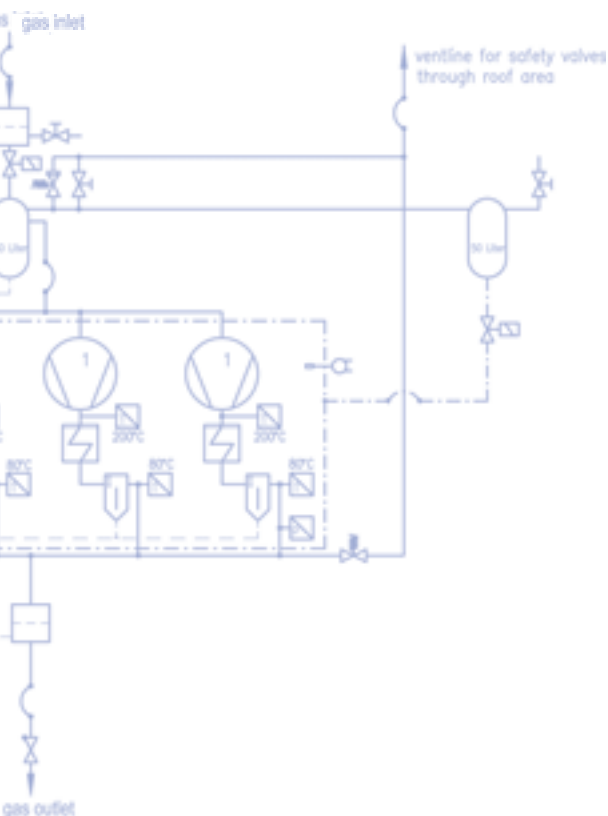
Medien: Nitrogen





■ Pipeline-related services

Sauer compressors are not limited to searching for and producing oil and gas – they are involved in transporting these substances via pipelines too. Sauer compressors in containers mounted on mobile units are used during the construction and subsequent operation of these supply lines. As compact units including diesel engines, Sauer compressors offer important advantages which make them a popular choice.



What are **Sauer Compressors** used for?

- Cleaning pipelines
- Checking pipelines

Who are **Sauer Compressors'** customers?

- Petrochemical industry
- Oil-field suppliers

Which **Sauer product ranges** are used?

Product ranges: HURRICANE, 6000
 Variants: *Basic, ComSilent*
 Volumetric flow: 30 – 2000 m³/hr
 Pressure range: 30 – 400 bar (g)
 Medium: Air



MISTRAL *Basic*



MISTRAL *BasBooster*



PASSAT *Basic*



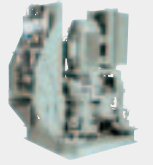
TYPHOON *Basic*



TORNADO *Basic*



HURRICANE *ComDry*



5000 *BasDry*



6000 *Basic*



6000 *BasBooster*



Sauer Compressors: *Metallurgy*

Sauer Compressors for Industry

- **MEDIUM AND HIGH-PRESSURE COMPRESSORS** are used in a wide variety of metallurgical applications, which encompass the entire range of processes for producing and using metals, metalloids and non-metals. Wherever they happen to be used, Sauer compressors do their job reliably and efficiently. This, combined with their particularly long operating lives even under extreme environmental conditions, makes them more or less indispensable within the field of metallurgy. Indeed, it would not be possible to use many processes were it not for Sauer compressors!

Our customers benefit from the following advantages:

- The very latest compressors, control systems, compressed-air treatment systems and accessories
- Optimum customer services starting with the initial enquiry and extending over the entire life of the product
- 100% compressor check at final pressure including 3.1 inspection certificate
- Long operating life with guaranteed availability of replacement parts (minimum 25 years)
- Turn-key solutions produced in accordance with customers' specifications
- Robust designs to withstand even the most extreme conditions (55°C ambient temperature)
- Minimal downtimes ensuring high product availability
- Compressors designed for permanent operation (S1 – 24/7)



■ Producing and forming steel

Although the production of steel was for a long time the pillar of heavy industry, it is now in the hands of a few major producers based throughout the world. Medium and high-pressure compressors for air and gases play an essential role at steelworks. Indeed, they are used not only to produce the steel itself and alter the carbon content in the blast furnace but also to press the steel into slabs and subsequently treat them. Often essential components within the overall system, the compressors themselves must be produced to the highest quality standards and durable enough to withstand the extreme conditions of temperature and dust levels.

What are Sauer Compressors used for?

- Descalers – descaling
- Raising pressure for steel presses
- Argon and nitrogen for carbon treatment

Who are Sauer Compressors' customers?

- Steelworks operators
- Manufacturers of machinery used on steel production lines
- Manufacturers of steel presses
- Engineering offices

Which Sauer product ranges are used?

Product ranges: HURRICANE, 5000, 6000

Variants: *Basic, BasBooster, BasSeal, ComSilent, ComBooster, ComSeal*

Volumetric flow: 30 – 2000 m³/hr

Pressure range: 16 – 400 bar (g)

Medium: Air, nitrogen, argon

▶ **IN THE NAVAL SECTOR**, Sauer is an established name as it is the world market leader for high-pressure compressors. However, the company's compressors impress not only on water but also on land. They are used in a variety of defence contexts, for example at naval ports and air-force bases as well as by ground troops. Highly flexible, Sauer compressors are available with a range of design options, whether you are simply looking for a particular colour scheme or require certification in accordance with military standards.



Our customers benefit from the following advantages:

- The very latest compressors, control systems, compressed-air treatment systems and accessories
- Optimum customer services starting with the initial enquiry and extending over the entire life of the product
- 100% compressor check at final pressure including 3.1 approval certificate
- Long operating life with guaranteed availability of replacement parts (minimum 25 years)
- Turn-key solutions produced in accordance with customers' specifications
- NATO-codified compressors and replacement parts
- Compact design and extremely straightforward operation

What are Sauer Compressors used for?

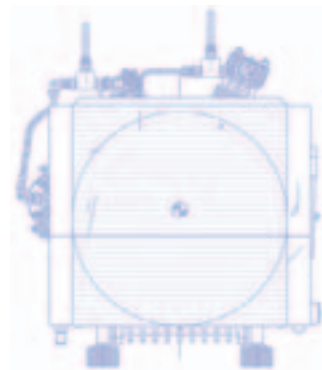
- Naval ports – service air, e. g. for submarines
- Air-force bases – automatic operation systems e. g. weapon systems for F15, F16, CASA C-295, Hercules, MiG 29
- Ground troops – nitrogen service for rocket control

Who are Sauer Compressors' customers?

- Air forces
- Navies
- Ground troops

Which Sauer product ranges are used?

Product ranges: PASSAT, HURRICANE, 5000, 6000
 Variants: *Basic*, *BasBooster*, *ComSilent*, *ComBooster*
 Volumetric flow: 30–2000 m³/hr
 Pressure range: 16–400 bar (g)
 Medium: Air, nitrogen



MISTRAL *Basic*



MISTRAL *BasBooster*



PASSAT *Basic*



TYPHOON *Basic*



TORNADO *Basic*



HURRICANE *ComDry*



5000 *BasDry*



6000 *Basic*



6000 *BasBooster*



Sauer Compressors: *Mining*

Sauer Compressors for Industry

- ▶ **WITH THEIR ROBUST CONSTRUCTION** and straightforward operation, Sauer compressors are able to cope even with the demanding situations encountered in the underground mining business. Regardless of whether you require an ATEX-compliant specification or hydraulic motor drive, this is not a problem for Sauer's medium and high-pressure compressors. And if you require a mobile design, Sauer compressors are also available equipped with a diesel engine and a container unit for use anywhere in the world.

Our customers benefit from the following advantages:

- The very latest compressors, control systems, compressed-air treatment systems and accessories
- Optimum customer services starting with the initial enquiry and extending over the entire life of the product
- 100% compressor check at final pressure including 3.1 inspection certificate
- Long operating life with guaranteed availability of replacement parts (minimum 25 years)



What are Sauer Compressors used for?

- Drilling deep boreholes

Who are Sauer Compressors' customers?

- Mines/mining companies
- Drilling companies

Which Sauer product ranges are used?

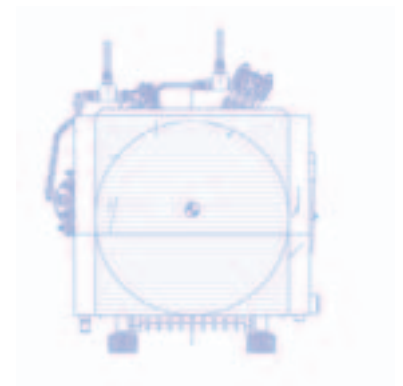
Product ranges: PASSAT, HURRICANE, 6000

Variants: *Basic, BasSeal, ComSilent, ComSeal*

Volumetric flow: 80 – 2000 m³/hr

Pressure range: 16 – 400 bar (g)

Medium: Air, nitrogen





► **IN SITUATIONS WHERE SAFETY** depends on high product availability, robust high-pressure compressors are needed. This is precisely why Sauer compressors are used for applications such as supplying breathing air or for fire-extinguishing systems, where they may be required to operate permanently under the most extreme conditions. Rather than making compromises, customers from the safety sector rely on compressors with the “Made in Germany” seal of quality.

Our customers benefit from the following advantages:

- The very latest compressors, control systems, compressed-air treatment systems and accessories
- Optimum customer services starting with the initial enquiry and extending over the entire life of the product
- 100% compressor check at final pressure including 3.1 inspection certificate
- Long operating life with guaranteed availability of replacement parts (minimum 25 years)
- Robust designs to withstand even the most extreme conditions (55°C ambient temperature)
- Minimal downtimes – high product availability
- Compressors designed for permanent operation (S1 – 24/7)
- Compact design and extremely easy to use

What are Sauer Compressors used for?

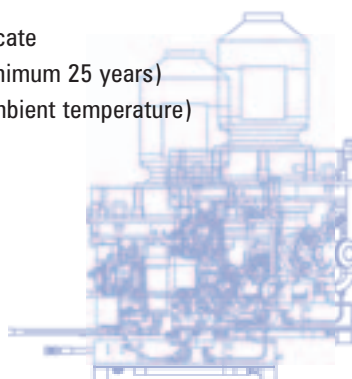
- Stationary fire-extinguishing systems
- Supplying breathing air

Who are Sauer Compressors’ customers?

- Manufacturers of fire systems
- Company fire brigades and public fire stations
- Large diving centres

Which Sauer product ranges are used?

Product ranges: PASSAT, HURRICANE, TORNADO, 6000
 Variants: *Basic, BasBreath, BasSeal, ComSilent, ComBreath, ComSeal*
 Volumetric flow: 10 – 2000 m³/hr
 Pressure range: 40 – 411 bar (g)
 Medium: Air, nitrogen, argon, carbon dioxide



MISTRAL *Basic*



MISTRAL *BasBooster*



PASSAT *Basic*



TYPHOON *Basic*



TORNADO *Basic*



HURRICANE *ComDry*



5000 *BasDry*



6000 *Basic*



6000 *BasBooster*



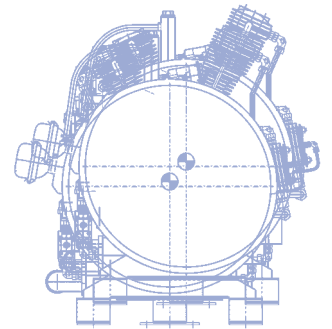
Sauer Compressors: *Aviation*

Sauer Compressors for Industry

- **THE AVIATION INDUSTRY** is under considerable pressure to keep costs down yet at the same time is faced with ever-increasing safety demands. Thankfully, the use of Sauer's medium and high-pressure compressors can help in both these areas. The costs of running aircraft fleets can be minimised by using nitrogen to inflate aircraft tyres, whilst the compressors' long maintenance intervals (MTBF) enhance this effect. The option of combining a variety of different drive systems as well as the units' compact design have a further positive effect, allowing the compressors to be moved around and used on airport aprons.

Our customers benefit from the following advantages:

- The very latest compressors, control systems, compressed-air treatment systems and accessories
- Optimum customer services starting with the initial enquiry and extending over the entire life of the product
- 100% compressor check at final pressure including 3.1 inspection certificate
- Long operating life with guaranteed availability of replacement parts (minimum 25 years)
- Robust designs to withstand even the most extreme conditions (55°C ambient temperature)
- Great reliability, even during intermittent operation
- Compact design and extremely easy to use



What are **Sauer Compressors** used for?

- Inflating aircraft tyres using nitrogen
- Starting turbines
- Supplying aircraft systems

Who are **Sauer Compressors'** customers?

- Airport operators
- Air-force bases
- Engineering offices

Which **Sauer product ranges** are used?

Product ranges: PASSAT, HURRICANE

Variants: *Basic*, *BasBooster*, *ComSilent*, *ComBooster*

Volumetric flow: 80 – 120 m³/hr

Pressure range: 40 – 350 bar (g)

Medium: Air, nitrogen





MISTRAL *Basic*



MISTRAL *BasBooster*



PASSAT *Basic*



TYPHOON *Basic*



TORNADO *Basic*



HURRICANE *ComDry*



5000 *BasDry*



6000 *Basic*



6000 *BasBooster*



Miss a solution for your application?

Do not hesitate to contact us!

solution@sauersohn.de





Sauer Compressors

Your local agent:

J. P. Sauer & Sohn
Maschinenbau GmbH

P.O. Box 9213
D-24157 Kiel
Phone +49 (0) 4 31/39 40-0
Fax +49 (0) 4 31/39 40-24
e-mail: info@sauersohn.de
Internet: www.sauercompressors.com



We reserve the right to make technical changes without prior notice.
Please visit www.sauercompressors.com for the latest version of the brochure.